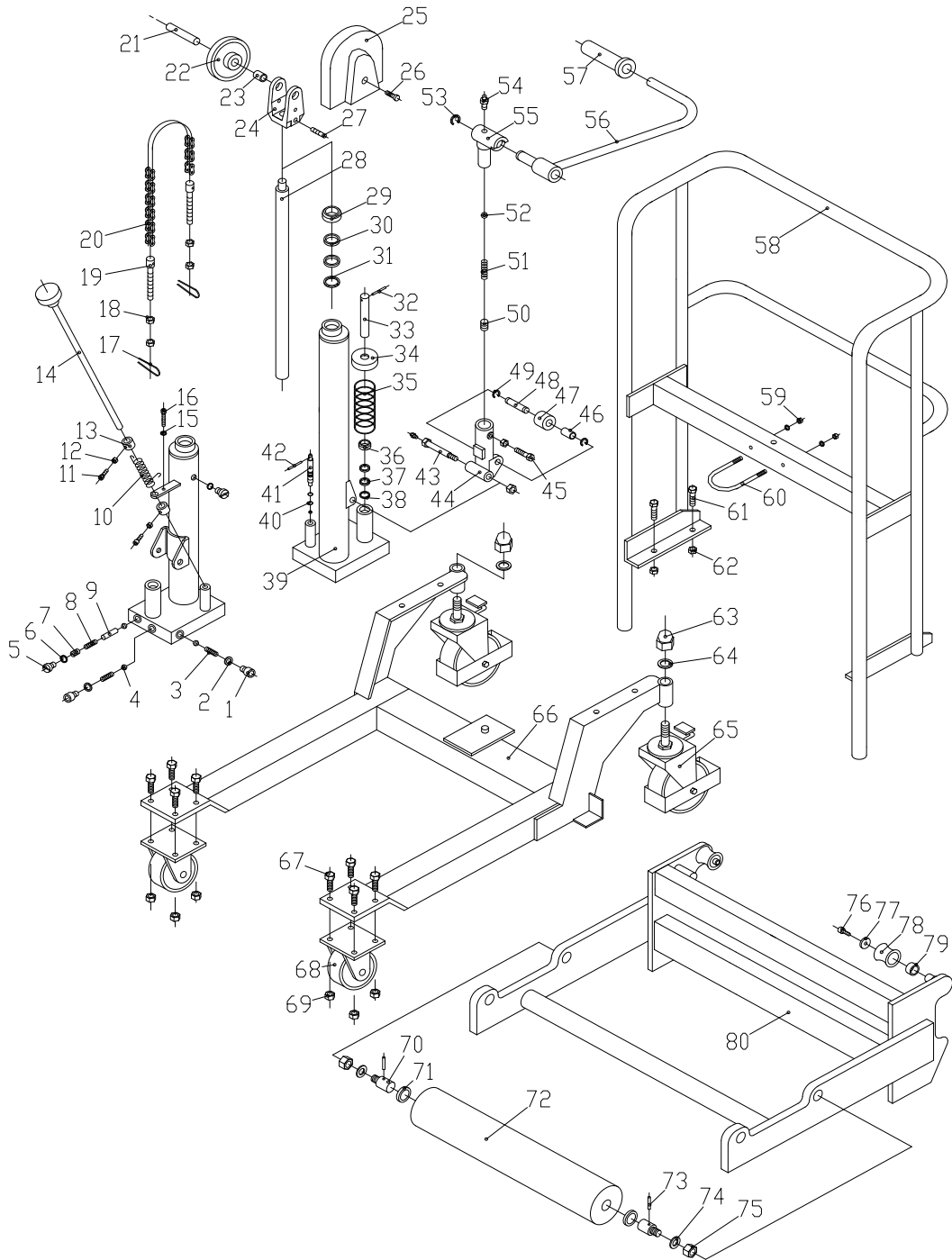


Assembly for 500350 (B-8214)



1.

| | | |
|----|------------------------------|---|
| | | |
| 1 | Internal Hex Bolt | 2 |
| 2 | Copper washer | 2 |
| 3 | Cone spring | 2 |
| 4 | Steel ball | 4 |
| 5 | Bolt plug | 2 |
| 6 | Seal ring set | 2 |
| 7 | Set screw | 1 |
| 8 | Spring | 1 |
| 9 | Short pin | 1 |
| 10 | Torsion spring | 1 |
| 11 | Internal Hex Bolt | 2 |
| 12 | Nut | 2 |
| 13 | Locating ring | 2 |
| 14 | Single-direction Valve pole | 1 |
| 15 | Internal Hex Bolt | 1 |
| 16 | Washer | 1 |
| 17 | Split pin | 1 |
| 18 | Nut | 4 |
| 19 | Chains bolt | 2 |
| 20 | Roller chains | 1 |
| 21 | Chain wheel shaft | 1 |
| 22 | Chain wheel | 1 |
| 23 | Oil-free bearing | 2 |
| 24 | Chains base | 1 |
| 25 | Chains cover | 2 |
| 26 | Bolt | 2 |
| 27 | Set screw | 1 |
| 28 | Piston pole | 1 |
| 29 | Dust-proof ring | 1 |
| 30 | O-ring | 2 |
| 31 | Nylon ring | 1 |
| 32 | Spring pin | 1 |
| 33 | Pump pole | 1 |
| 34 | Pump lid | 1 |
| 35 | Oil pump spring | 1 |
| 36 | Dust-proof ring | 1 |
| 37 | O-ring | 2 |
| 38 | Nylon ring | 1 |
| 39 | Welding body of oil cylinder | 1 |
| 40 | O-ring | 2 |
| 41 | Valve inner | 1 |
| 42 | Spring pin | 1 |
| 43 | Pump axle | 1 |
| 44 | Pump base | 1 |

| | | |
|----|----------------------------|---|
| | | |
| 45 | Set screw | 1 |
| 46 | Oil-free bearing | 1 |
| 47 | Pump pressure ring | 1 |
| 48 | Pump ring pin | 1 |
| 49 | Split ring | 2 |
| 50 | Set screw | 1 |
| 51 | Spring | 1 |
| 52 | Split washer | 1 |
| 53 | Steel ball | 1 |
| 54 | Oil cup | 2 |
| 55 | Axle sleeve | 1 |
| 56 | Foot Step Lever | 1 |
| 57 | Rubber sleeve | 1 |
| 58 | Handle 4085 | 1 |
| | Handle 4120 | 1 |
| | Handle 4150 | 1 |
| 59 | Nut | 2 |
| 60 | Oil cylinder hoop | 1 |
| 61 | Hex bolt | 4 |
| 62 | Check nut | 4 |
| 63 | Lid nut | 2 |
| 64 | Spring washer | 2 |
| 65 | Back wheel | 2 |
| 66 | Underbed | 1 |
| 67 | Hex bolt | 8 |
| 68 | Front wheel | 2 |
| 69 | Nut | 8 |
| 70 | Pin | 2 |
| 71 | Washer | 2 |
| 72 | Rubber roller | 2 |
| 73 | Spring pin | 2 |
| 74 | Washer | 2 |
| 75 | Nut | 2 |
| 76 | Bolt | 4 |
| 77 | Washer | 4 |
| 78 | Idler wheel | 4 |
| 79 | Oil-free bearing | 4 |
| 80 | Lift frame | 1 |
| 81 | Oil cylinder assembly 4085 | 1 |
| | Oil cylinder assembly4120 | 1 |
| | Oil cylinder assembly4150 | 1 |
| | Full set of seals | 1 |