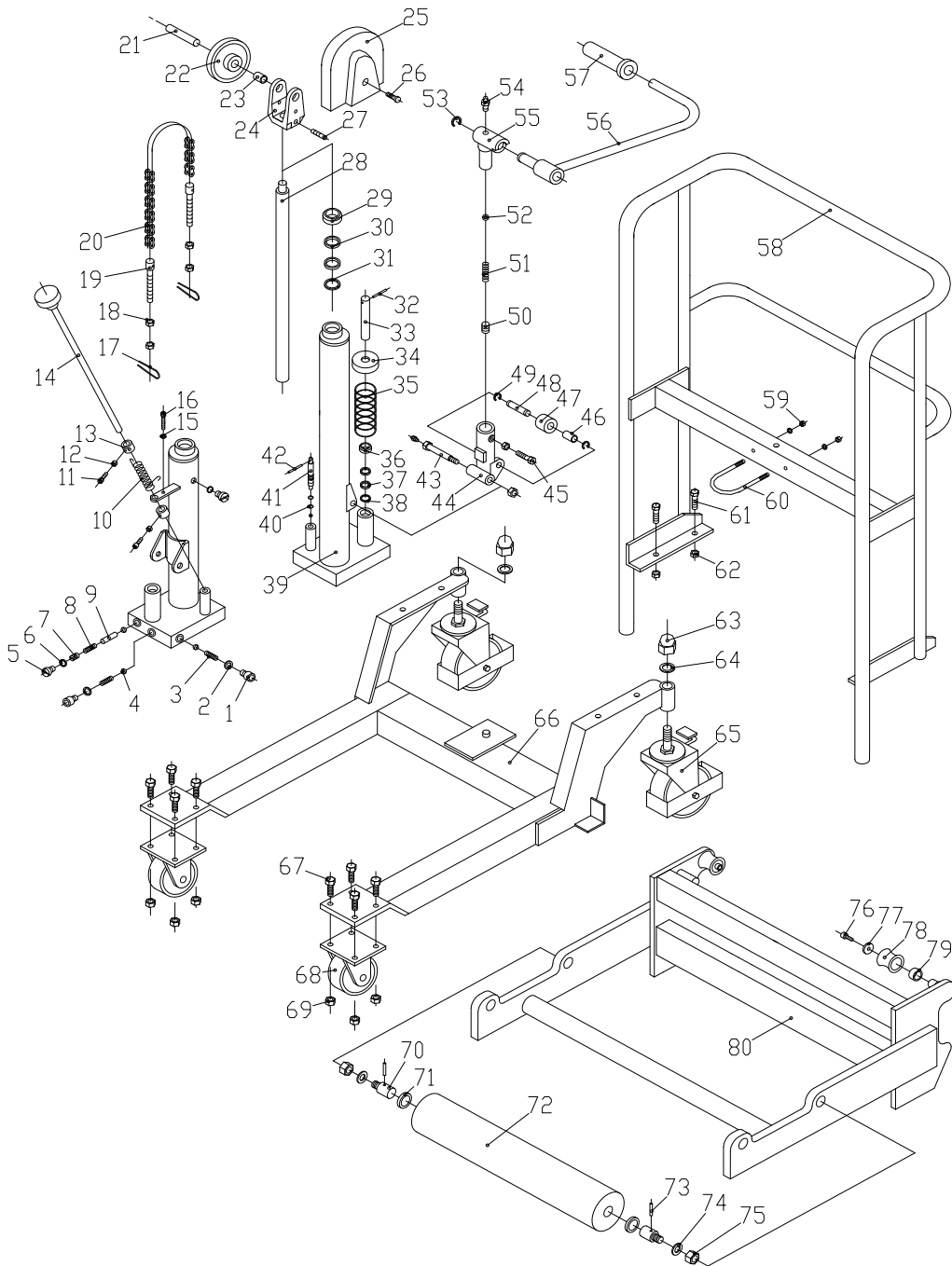


Assembly for 500350 B-8214



Assembly for 500350 B-8214

1	Internal Hex Bolt	2
2	Copper washer	2
3	Cone spring	2
4	Steel ball	4
5	Bolt plug	2
6	Seal ring set	2
7	Set screw	1
8	Spring	1
9	Short pin	1
10	Torsion spring	1
11	Internal Hex Bolt	2
12	Nut	2
13	Locating ring	2
14	Single-direction Valve pole	1
15	Internal Hex Bolt	1
16	Washer	1
17	Split pin	1
18	Nut	4
19	Chains bolt	2
20	Roller chains	1
21	Chain wheel shaft	1
22	Chain wheel	1
23	Oil-free bearing	2
24	Chains base	1
25	Chains cover	2
26	Bolt	2
27	Set screw	1
28	Piston pole	1
29	Dust-proof ring	1
30	O-ring	2
31	Nylon ring	1
32	Spring pin	1
33	Pump pole	1
34	Pump lid	1
35	Oil pump spring	1
36	Dust-proof ring	1
37	O-ring	2
38	Nylon ring	1
39	Welding body of oil cylinder	1
40	O-ring	2
41	Valve inner	1
42	Spring pin	1
43	Pump axle	1
44	Pump base	1

45	Set screw	1
46	Oil-free bearing	1
47	Pump pressure ring	1
48	Pump ring pin	1
49	Split ring	2
50	Set screw	1
51	Spring	1
52	Split washer	1
53	Steel ball	1
54	Oil cup	2
55	Axle sleeve	1
56	Foot Step Lever	1
57	Rubber sleeve	1
58	Handle 4085	1
	Handle 4120	1
	Handle 4150	1
59	Nut	2
60	Oil cylinder hoop	1
61	Hex bolt	4
62	Check nut	4
63	Lid nut	2
64	Spring washer	2
65	Back wheel	2
66	Underbed	1
67	Hex bolt	8
68	Front wheel	2
69	Nut	8
70	Pin	2
71	Washer	2
72	Rubber roller	2
73	Spring pin	2
74	Washer	2
75	Nut	2
76	Bolt	4
77	Washer	4
78	Idler wheel	4
79	Oil-free bearing	4
80	Lift frame	1
81	Oil cylinder assembly 4085	1
	Oil cylinder assembly 4120	1
	Oil cylinder assembly 4150	1
	Full set of seals	1